

# NEO 1000 BURNER

AUTOMATIC BEV<sup>®</sup> BURNER

*Net Zero fireplace with BEV Technology<sup>®</sup>*



## AUTOMATIC BEV<sup>®</sup> BURNER

The BEV Technology<sup>®</sup> guarantees burning that is free of smoke, odor, or ash. This technology creates a flame by burning ethanol vapors, ensuring that the fire has no direct contact with the liquid fuel.



## INNOVATIVE BURNER

Experience the warmth and ambiance of a larger flame with Neo, featuring a specially designed burner filled with foamed glass to expand the fire's width for a more captivating and radiant glow.



## AUTOMATIC REFILLING

The automatic pump communicates with the device, delivering the necessary amount of fuel. There is no risk of overfilling the tank or spilling the fuel.



## INTEGRATED CONTROL PANEL

Experience the ultimate convenience with the integrated control panel, featuring an intuitive design that lets you effortlessly adjust the flame height to create the perfect ambiance.



## REMOTE CONTROL

Easily control your fireplace with the handy remote. You're in charge of the flames. Go for one of 2 flame levels to adjust the ambiance and coziness to your needs.



## DECORATIVE LOGS

Neo gives you the freedom to choose between a cozy, traditional look with decorative logs or a sleek, modern aesthetic—just remove the log tray to transform the style in seconds.

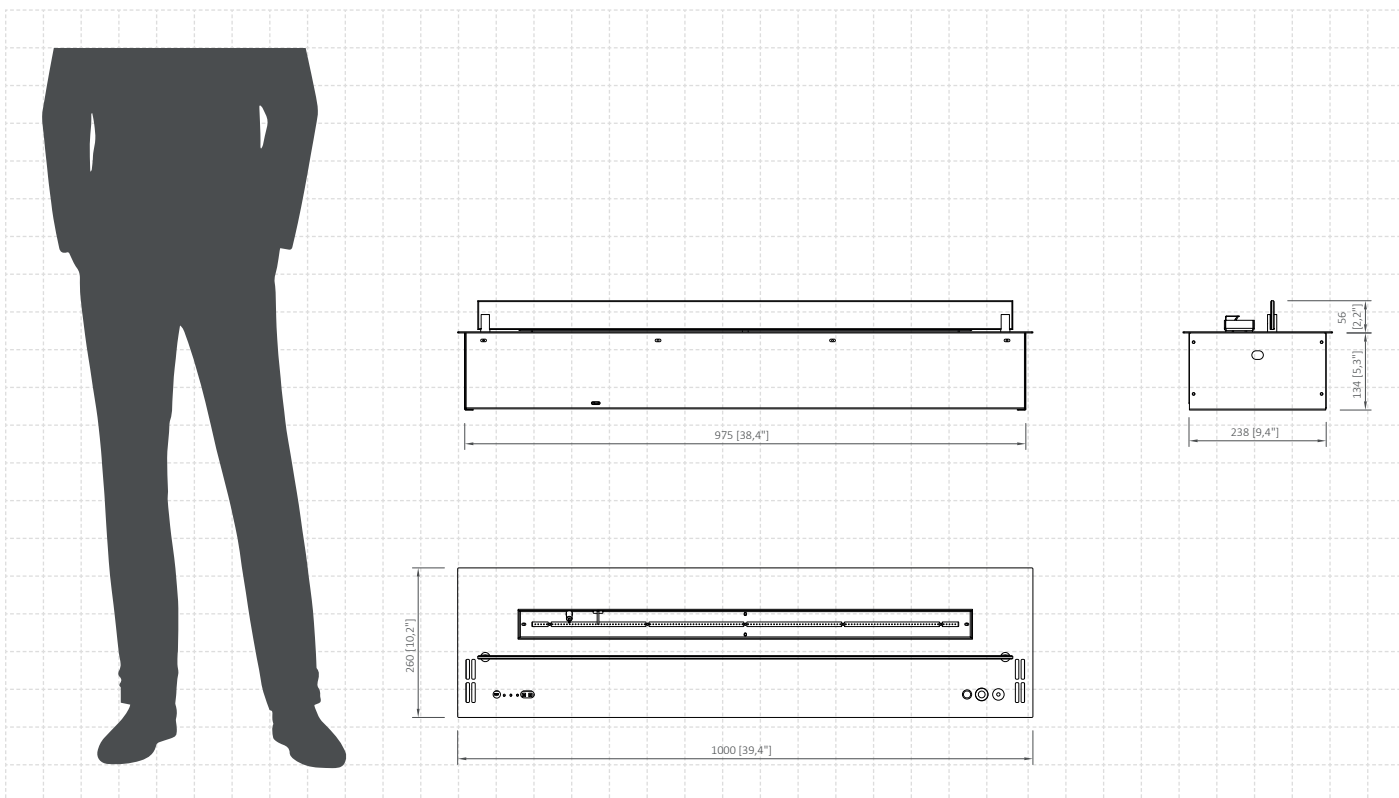
## Neo 1000 Burner

Fuel tank capacity	2.9 L   0.77 gal
Maximum burn time	4.0 hours
Maximum heat output	5.9 kW   20 100 BTUs/h
Minimum room cubature	59 m <sup>3</sup>   2080 ft <sup>3</sup>
Flame height regulation	2 stages
Weight	18.5 kg   40.8 lbs
Fuel type	bioethanol 95 - 96,6%
Flue	not required
Air change rate	1 space volume per hour
Power supply	230 V   115 V
Finish	black powder coating
Materials	steel, galvanized steel, tempered glass
Application	for indoor use only

### CONTROL OPTIONS



included



All product specifications and data are subject to change without notice and are believed to be accurate as of the date hereof. Planika Sp. z o.o., its affiliates, agents, and employees, and all persons acting on its or their behalf (collectively, "Planika Sp. z o.o."), disclaim any and all liability for any errors, inaccuracies or incompleteness contained in any document or in any other disclosure relating to any product. To the maximum extent permitted by applicable law, Planika Sp. z o.o. disclaims any and all liability arising out of the application or use of any product. No license, express or implied, by estoppel or otherwise, to any intellectual property rights is granted by this document or by any conduct of Planika Sp. z o.o.. Customers using or selling Planika Sp. z o.o.'s products not expressly indicated for use in such applications do so entirely at their own risk and agree to fully indemnify Planika Sp. z o.o. for any damages arising or resulting from such use or sale. The provided fuel consumption is based on laboratory testing on the lowest flame level. The actual consumption of individual devices may vary. The images are indicative only.